

HOLDERS , CABLES & CONNERCTORS

Product catalogue



Electrode holder

American type	111
Japanese type	113
German type	114
Korea type	114
Netherland type	115
Light type	116
Heavy type	116
Non-hand-burnt type	117

EARTH CLAMP

American type	119
Netherland type	120
Japanese type	121
Britisht type	121

CABLE JOINTERS

American type	123
Britisht type	123
Japanese type	124
WH-ZK012/013/014/015/016	124

ELECTRODE HOLDER



AMERICAN TYPE



ELECTRODE HOLDER



AMERICAN TYPE



PT.NO	AMP	PACK
WH-A001	300-500A	1
WH-A002	300-500A-2	1
WH-A003	300-500A-3	1
WH-A004	200A	1
WH-A005	300A	1
WH-A006	500A	1
WH-A007	200A-1	1
WH-A009	300A-1	1
WH-A011	500A-1	1
WH-A008	200A-2	1
WH-A010	300A-2	1
WH-A012	500A-2	1
WH-A013	500A-3	1
WH-A014	600A-1	1

ELECTRODE HOLDER



JAPANESE TYPE



PT.NO	AMP	PACK
WH-B001	300-500A	1
WH-B003	300-500A-2	1
WH-B005	300-500A-3	1
WH-B002	200A	1
WH-B004	300A	1
WH-B006	500A	1
WH-B007	200A-1	1
WH-B008	300A-1	1
WH-B009	500A-1	1

ELECTRODE HOLDER



GERMAN TYPE



PT.NO	AMP	PACK
WH-C001	300 / 400 / 500A	1
WH-C002	600A	1
WH-C003	800A	1

KOREA TYPE



PT.NO	AMP	PACK
WH-D001	300A	1
WH-D002	500A	1
WH-D003	600A	1

ELECTRODE HOLDER



NETHERLAND TYPE



PT.NO	AMP	PACK
WH-E001	300A	1
WH-E002	500A	1
WH-E003	600A	1
WH-F001	150A	1
WH-F003	200A	1
WH-F005	500A	1
WH-F002	150A-1	1
WH-F004	300A	1
WH-F006	500A-1	1

ELECTRODE HOLDER



LIGHT TYPE



PT.NO	AMP	PACK
WH-G001	300A	1
WH-G002	300A-11	1
WH-G004	500A-1	1
WH-G003	500A	1

HEAVY TYPE

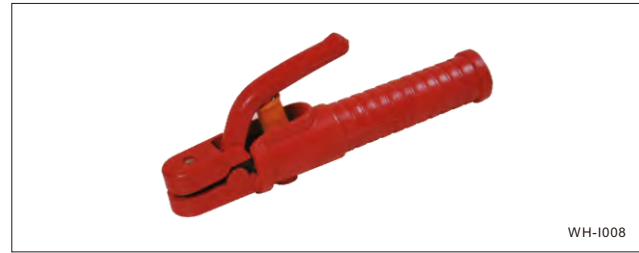


PT.NO	AMP	PACK
WH-H001	300A	1
WH-H002	500A	1

ELECTRODE HOLDER



NON-HAND-BURNT TYPE



ELECTRODE HOLDER



PT.NO	AMP	PACK
WH-I001	300A	1
WH-I005	500A-3	1
WH-I006	600A-2	1
WH-I003	500A	1
WH-I007	600A-3	1
WH-I008	600A-3	1
WH-I004	500A-D	1
WH-I009	800A	1
WH-I010	800A-1	1
WH-I002	500A-A	1

EARTH CLAMP



AMERICAN TYPE



WH-J001



WH-J003



WH-L001



WH-J004



WH-J005



WH-J006

PT.NO	AMP	PACK
WH-J001	500A/ 500A-1	1
WH-J003	600A/ 600A-1	1
WH-L001	300A/ 300A-1	1
WH-J004	300A	1
WH-J005	500A	1
WH-J006	800A	1

EARTH CLAMP



NETHERLAND TYPE



WH-J002



WH-L002



WH-L003



WH-L005



WH-L006



WH-L004



WH-L007



WH-N001

PT.NO	AMP	PACK
WH-J002	500A/ 500A-1	1
WH-L002	500A/ 500A-1	1
WH-L003	600A	1
WH-L005	300A	1
WH-L006	500A	1
WH-L004	300A-1	1
WH-L007	600A	1
WH-N001	500A	1

EARTH CLAMP

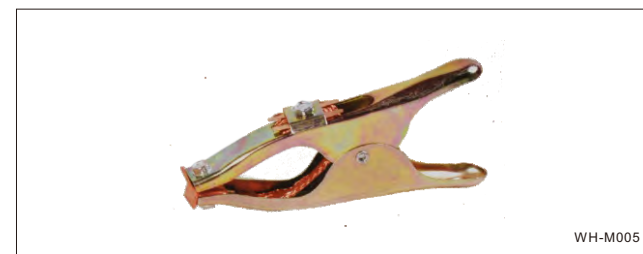


JAPANESE TYPE



PT.NO	AMP	PACK
WH-K001	300A/300A-1	1
WH-K002	500A	1
WH-K003	500A-1	1

BRITISHT TYPE



EARTH CLAMP



BRITISHT TYPE



PT.NO	AMP	PACK
WH-M001	200A	1
WH-M003	300A	1
WH-M005	500A	1
WH-M002	250A	1
WH-M004	350A	1
WH-O001	300A	1

CABLE JOINTERS



AMERICAN TYPE



WH-ZK004



WH-ZK005



WH-ZK006



WH-ZK011

PT.NO	AMP	PACK
WH-ZK004	300A	1
WH-ZK005	500A	1
WH-ZK006	600A	1
WH-ZK011	300-400A	1

BRITISHT TYPE



WH-ZK007



WH-ZK008



WH-ZK009



WH-ZK010

PT.NO	TYPE mm ²	PACK
WH-ZK007	10-25mm ²	1
WH-ZK008	30-50mm ²	1
WH-ZK009	50-70mm ²	1
WH-ZK010	70-92mm ²	1

CABLE JOINTERS



WH-ZK012



WH-ZK013



WH-ZK014



WH-ZK015



WH-ZK016

PT.NO	TYPE mm ²	PACK
WH-ZK012	10-25mm ²	1
WH-ZK013	35-50mm ²	1
WH-ZK014	50-70mm ²	1
WH-ZK015	70-95mm ²	1
WH-ZK016	10-25mm ²	1

JAPANESE TYPE



WH-ZK001



WH-ZK002



WH-ZK003

PT.NO	AMP	PACK
WH-ZK001	300A	1
WH-ZK002	500A	1
WH-ZK003	600A	1



HELMET

WH-1090S/1098T	127
WH-2090S/2092T/2098T	128
WH-3090S/3092T/3098T	129
WH-4092T/4098T/4100T	130
WH-5092T/5098T/5100T	131
WH-6092T/6098T	132

WH-1090S/1098T



Technical specifications

Item No	WH-1090S	WH-1098T
Filter size(mm)	110x90x9mm	110x90x9mm
Viewing area(mm)	90x40mm	98x48mm
Light state	DIN.3 OR DIN.4	DIN.4
Dark state	DIN.9-13	DIN.9-13
Switch time(s)	1/25000s	1/25000s
Delay time(s)	0.6s	0.2-0.8s
Sensitivity adjustment	\	Low/High
Power on/off	Fully automatic	Fully automatic
Power supply	Solar cells & 2XAAA batteries	Solar cells & lithium batteries
Rate of UV transmittance	313nm<0.00006%,365nm<0.00006%	313nm<0.00006%,365nm<0.00006%
Rate of IR transmittance	780~1300nm<0.003%,1300~2000nm<0.009%	780~1300nm<0.003%,1300~2000nm<0.009%
Eye protection	EN379 1/2/1	EN379 1/2/1
Features & extra functions	\	1) Fine Sensitivity adjustment: suitable for small current welding. 2) Switching time setting: suitable for less than 20A TIG welding process.
Weight(g)	520g	520g
Filter pic.		



Out package 4pcs/1ctn, 49x49x35cm, 3/5kg

4pcs/1ctn, 49x49x35cm, 3/5kg

WH-2090S/2092T/2098T



Technical specifications

Item No	WH-2090S	WH-2092T	WH-2098T
Filter size(mm)	110x90x9mm	110x90x9mm	110x90x9mm
Viewing area(mm)	90x40mm	92x42mm	98x48mm
Light state	DIN.3 OR DIN.4	DIN.4	DIN.4
Dark state	DIN.9-13	DIN.9-13	DIN.9-13
Switch time(s)	1/25000s	1/25000s	1/25000s
Delay time(s)	0.6s	0.6s	0.2-0.6s
Sensitivity adjustment	\	adjustable, Grinding	Low/High
Power on/off	Fully automatic	Fully automatic	Fully automatic
Power supply	Solar cells & 2XAAA batteries	Solar cells & lithium batteries	Solar cells & lithium batteries
Rate of UV transmittance	313nm<0.00006%,365nm<0.00006%		
Rate of IR transmittance	780~1300nm<0.003%,1300~2000nm<0.009%		
Eye protection		EN379 1/2/1	
Features & extra functions	\	1) Fine Sensitivity adjustment: suitable for small current welding. 2) Switching time setting: suitable for less than 20A TIG welding process.	1) Fine Sensitivity adjustment: suitable for small current welding. 2) Switching time setting: suitable for less than 20A TIG welding process.
Weight(g)	520g	520g	520g
Filter pic.			



Out package 4pcs/1ctn, 49x49x35cm, 3/5kg

49x49x35cm, 3/5kg

49x49x35cm, 3/5kg

WH-3090S/3092T/3098T



Technical specifications

Item No	WH-3090S	WH-3092T	WH-3098T
Filter size(mm)	110x90x9mm	110x90x9mm	110x90x9mm
Viewing area(mm)	90x40mm	92x42mm	98x48mm
Light state	DIN.3 OR DIN.4	DIN.4	DIN.4
Dark state	DIN.9-13	DIN.9-13	DIN.9-13
Switch time(s)	1/25000s	1/25000s	1/25000s
Delay time(s)	0.6s	0.6s	0.2-0.6s
Sensitivity adjustment	\	adjustable, Grinding	Low/High
Power on/off	Fully automatic	Fully automatic	Fully automatic
Power supply	Solar cells & 2XAAA batteries	Solar cells & lithium batteries	Solar cells & lithium batteries
Rate of UV transmittance	313nm<0.00006%,365nm<0.00006%		
Rate of IR transmittance	780~1300nm<0.003%,1300~2000nm<0.009%		
Eye protection	EN379 1/2/1		
Features & extra functions	\	1) Fine Sensitivity adjustment: suitable for small current welding. 2) Switching time setting: suitable for less than 20A TIG welding process.	1) Fine Sensitivity adjustment: suitable for small current welding. 2) Switching time setting: suitable for less than 20A TIG welding process.
Weight(g)			
Filter pic.	520g	520g	520g



Out package	4pcs/1ctn, 49x49x35cm, 3/5kg	49x49x35cm, 3/5kg	49x49x35cm, 3/5kg
-------------	------------------------------	-------------------	-------------------

WH-4092T/4098T/4100T



Technical specifications

Item No	WH-4092T	WH-4098T	WH-4100T
Filter size(mm)	110x90x9mm	110x90x10mm	110x90x9mm
Viewing area(mm)	92x42mm	98x48mm	100x49mm
Light state	DIN.4	DIN.4	DIN.4
Dark state	DIN.9-13	DIN.9-13	DIN.9-13
Switch time(s)	1/25000s	1/25000s	1/25000s
Delay time(s)	0.6s	0.2-0.8s adjustable	0.2-0.8s adjustable
Sensitivity adjustment	adjustable, Grinding	adjustable, Grinding	adjustment,Grinding,Test,Low Bat
Power on/off	Fully automatic	Fully automatic	Fully automatic
Power supply	Solar cells & lithium batteries	Solar cells & lithium batteries	Solar cells,batteries change required 2 X CR2032 lithium batteries
Rate of UV transmittance	313nm<0.00006%,365nm<0.00006%		
Rate of IR transmittance	780~1300nm<0.003%,1300~2000nm<0.009%		
Eye protection	EN379 1/2/1		
Features & extra functions	1) Fine Sensitivity adjustment: suitable for small current welding. 2) Switching time setting: suitable for less than 20A TIG welding process.	1) Fine Sensitivity adjustment: suitable for small current welding. 2) Switching time setting: suitable for less than 20A TIG welding process.	1) Fine Sensitivity adjustment: suitable for small current welding. 2) Switching time setting: suitable for less than 20A TIG welding process.
Weight(g)	520g	520g	520g
Filter pic.			



Out package	49x49x35cm, 3/5kg	49x49x35cm, 3/5kg	49x49x35cm, 3/5kg
-------------	-------------------	-------------------	-------------------

WH-5092T/5098T/5100T



Technical specifications

Item No	WH-5092T	WH-5098T	WH-5100T
Filter size(mm)	110×90×9mm	110×90×10mm	110×90×9mm
Viewing area(mm)	92×42mm	98×48mm	100×49mm
Light state	DIN.4	DIN.4	DIN.4
Dark state	DIN.9-13	DIN.9-13	DIN.9-13
Switch time(s)	1/25000s	1/25000s	1/25000s
Delay time(s)	0.6s	0.2-0.8s adjustable	0.2-0.8s adjustable
Sensitivity adjustment	adjustable, Grinding	adjustable, Grinding	adjustment, Grinding, Test, Low Bat
Power on/off	Fully automatic	Fully automatic	Fully automatic
Power supply	Solar cells & lithium batteries	Solar cells & lithium batteries	Solar cells, batteries change required 2 X CR2032 lithium batteries
Rate of UV transmittance		313nm<0.00006%, 365nm<0.00006%	
Rate of IR transmittance		780~1300nm<0.003%, 1300~2000nm<0.009%	
Eye protection		EN379 1/2/1	
Features & extra functions	1) Fine Sensitivity adjustment: suitable for small current welding. 2) Switching time setting: suitable for less than 20A TIG welding process.	1) Fine Sensitivity adjustment: suitable for small current welding. 2) Switching time setting: suitable for less than 20A TIG welding process.	1) Fine Sensitivity adjustment: suitable for small current welding. 2) Switching time setting: suitable for less than 20A TIG welding process.
Weight(g)	520g	520g	520g
Filter pic.			



Out package	49x49x35cm, 3/5kg	49x49x35cm, 3/5kg	49x49x35cm, 3/5kg
-------------	-------------------	-------------------	-------------------

WH-6092T/6098T



Technical specifications

Item No	WH-6092T	WH-6098T
Filter size(mm)	110×90×9mm	110×90×10mm
Viewing area(mm)	98×43mm	98×43mm
Light state	DIN.4	DIN.4
Dark state	DIN.9-13	DIN.9-13
Switch time(s)	1/25000s	1/25000s
Delay time(s)	0.6s	0.2-0.8s adjustable
Sensitivity adjustment	adjustable, Grinding	adjustable, Grinding
Power on/off	Fully automatic	Fully automatic
Power supply	Solar cells & lithium batteries	Solar cells & lithium batteries
Rate of UV transmittance	313nm<0.00006%, 365nm<0.00006%	313nm<0.00006%, 365nm<0.00006%
Rate of IR transmittance	780~1300nm<0.003%, 1300~2000nm<0.009%	780~1300nm<0.003%, 1300~2000nm<0.009%
Eye protection	EN379 1/2/1	EN379 1/2/1
Features & extra functions	1) Fine Sensitivity adjustment: suitable for small current welding. 2) Switching time setting: suitable for less than 20A TIG welding process.	1) Fine Sensitivity adjustment: suitable for small current welding. 2) Switching time setting: suitable for less than 20A TIG welding process.
Weight(g)	490g	500g
Filter pic.		



Out package	33x23x26cm, 3/5kg	33x23x26cm, 3/5kg
-------------	-------------------	-------------------

BODY PROTECTION



Product catalogue

Welding Protective Gloves Series

Hands Back Protection Gloves/LEATHER HAND SHIELDS	135
Hight Heat Resistant Gloves(Blast Use)	135
High Quality Leather Welding Gloves(Reinforced Palm)	136
Premium Comfortable Welding Gloves	137
Premium Quality Welding Gloves-14"(Could offer 16" Long)	138
Economy Quality Welding Glove	138
Quality Welding Gloves-14"	139
Quality Welding LONG Gloves-18"	140

Professional TIG/MIG Gloves Series

Outstanding Fit & Dexterity Grain Goatskin TIG Gloves	141
Quality Grain Calfskin TIG/MIG Gloves	142

CLOTHING

Full Leather Welder Jacket	144
Washable FR Cotton Fabric Body W/ Leather Sleeves Welder Jacket	145
Premium Leather Jacket	145
Cape Sleeves System	146
PFIREMAN Jacket	146
Leather Front W/ Washable FR Cotton Fabric Back Werlder Jacket	147
Leather Welder Pants	147
Leather Welder Chaps	148
Leather Welder Apron(BIB APRONS FOR FRONT MIDDLE BODY PROTECTION)	148
Leather Welder Apron(FOR ARMS AND BODY PROTECTION)	149
Washable FR Cotton Fabric Waist Apron	150
Washable FR Cotton Fabric Coverall	151
Washable FR Cotton Fabric Jacket	151
Washable FR Cotton Fabric Pants	152

FOOT PROTECTION

Leather Legging Spats	153
Safety Shoes	153

HEAD PROTECTION

Leather Welder Hoods	154
Washable FR Cotton Hood	154
Leather Helmet	155

WORKSHOP PROTECTION

High Transparency Welding Curtain	156
Leather Legging Spats	157
Ajustable Modular Frame(for Transpancy Welding Curtains)	157
Glass Firber Welding Blanket	158

Welding Protective Gloves Series



Hands Back Protection Gloves/LEATHER HAND SHIELDS

BL-1000

PT.NO	DESCRIPTION
BL-1000	golden color,size M,L,XL,length 14"
Specifications:	
<ul style="list-style-type: none"> • Split cowhide leather; • Soft lining; • Back reinforced • Double leather for back • Wing thumb • Sewn with Dupont kevlar thread 	

BL-1001

PT.NO	DESCRIPTION
BL-1001	Aluminized & split cowhide,size 6.5" W*7.5" L
Specifications:	
<p>High heat reflective protection</p> <ul style="list-style-type: none"> • Aluminized PFR Rayon outer shell reflects 95% of radant heat, split cowhide inner layer provides extra durability; • KEVLAR stitched. 	

BL-1002

PT.NO	DESCRIPTION
BL-1002	Aluminized & split cowhide,size 6.5" W*8.5" L
Specifications:	
<p>High heat reflective protection</p> <ul style="list-style-type: none"> • Aluminized PFR Rayon outer shell reflects 95% of radant heat, split cowhide inner layer provides extra durability; • KEVLAR stitched. 	

Hight Heat Resistant Gloves(Blast Use)

BL-1003

PT.NO	DESCRIPTION
BL-1003	polyster, grey color, length 14", size L, XL
Specifications:	
<ul style="list-style-type: none"> • Polyester; • Temp rating 260°C; • KEVLAR stitched; • Cotton lining; • Fabirc hemming cuffs 	

BL-1004

PT.NO	DESCRIPTION
BL-1004	metamax, white color,length 14", size L, XL
Specifications:	
<ul style="list-style-type: none"> • Metamas; • Temp rating 350°C; • KEVLAR stitched; • Cotton lining; • Fabirc hemming cuffs. 	

Welding Protective Gloves Series



Hight Heat Resistant Gloves(Blast Use)

BL-1005

PT.NO	DESCRIPTION
BL-1005	metamax,yellow color,length 14",size M,L,XL
Specifications:	
<ul style="list-style-type: none"> • Metamas; • Temp rating 550°C; • Kevlar stitch outer shell; • 2 blankets & 1 split cowhide inner; • FR cotton lining. 	

BL-1006

PT.NO	DESCRIPTION
BL-1006	aramin fiber & aluminized, length 14", size L, XL
Specifications:	
<ul style="list-style-type: none"> • Aramid fiber with Aluminum back; • Temp rating 600°C; • Thickening sponge lining; • Sewn with Dupont Kevlar thread 	

BL-1007

PT.NO	DESCRIPTION
BL-1007	aluminized & split cowhide, length 14", size L, XL
Specifications:	
<ul style="list-style-type: none"> • Aramid fiber with Aluminum back; • Temp rating 350°C; • Thickening sponge lining; • Sewn with Dupont Kevlar thread 	

High Quality Leather Welding Gloves(Reinforced Palm)

BL-1008

PT.NO	DESCRIPTION
BL-1008	cowhide leather,blue color,length 14",size M,L,XL
Specifications:	
<p>Popular styles for welding protection</p> <ul style="list-style-type: none"> • Premium split cowhide Leather;Double leather reinforced Leahter Palm and Cuff; • KEVLAR stitched; • Cotton lining; • Wing thumb. 	

BL-1009

PT.NO	DESCRIPTION
BL-1009	cowhide leather,gray color,length 14",size M,L,XL
Specifications:	
<p>Popular styles for welding protection</p> <ul style="list-style-type: none"> • Premium split cowhide Leather;Double leather reinforced Leahter Palm and Cuff; • KEVLAR stitched; • Cotton lining; • Wing thumb. 	

Welding Protective Gloves Series



High Quality Leather Welding Gloves(Reinforced Palm)



BL-1010

PT.NO	DESCRIPTION
BL-1010	cowhide leather, golden color, length 14", size M,L, XL
Specifications:	
Popular styles for welding protection • Premium split cowhide Leather; Double leather reinforced Leather Palm and Cuff; • KEVLAR stitched; • Cotton lining; • Wing thumb.	



BL-1011

PT.NO	DESCRIPTION
BL-1011	split cowhide, gray color, length 14", size M,L, XL
Specifications:	
• Split cowhide; • Reinforced palm; • 100% cotton lining; • Sewn with Dupont Kevlar	



BL-1012

PT.NO	DESCRIPTION
BL-1012	split cowhide, golden color, length 14", size M,L, XL
Specifications:	
• Split cowhide; • Reinforced palm; • 100% cotton lining; • Sewn with Dupont Kevlar	

Premium Comfortable Welding Gloves



BL-1013

PT.NO	DESCRIPTION
BL-1013	cowhide lather, golden color, length 14", size M,L, XL
Specifications:	
• Premium split cowhide Leather; • Double leather reinforced Leather Palm and wing thumb; • KEVLAR stitched; • Comfortable sweat vBLor with cushion fleecy cotton lining.	



BL-1014

PT.NO	DESCRIPTION
BL-1014	cowhide leather, coffee color, length 14", size M,L, XL
Specifications:	
• Premium split cowhide Leather; • Double leather reinforced Leather Palm and wing thumb; • KEVLAR stitched; • Comfortable sweat vBLor with cushion fleecy cotton lining.	

Welding Protective Gloves Series



Premium Quality Welding Gloves-14"(Could offer 16" Long)



BL-1015

PT.NO	DESCRIPTION
BL-1015	cowhide lather, brown color, length 14", size M,L, XL
Specifications:	
• FR cuff lining, cotton; • Premium split cowhide Leather; • Double leather reinforced Leather Palm; • KEVLAR stitched; Wing thumb.	



BL-1016

PT.NO	DESCRIPTION
BL-1016	cowhide leather, coffee color, length 14", size M,L, XL
Specifications:	
• Thicker cotton lining; • Premium split cowhide Leather; • Double leather reinforced Leather Palm; • KEVLAR stitched; Wing thumb.	



BL-1017

PT.NO	DESCRIPTION
BL-1017	split cowhide leather, red color, length 14", size M,L, XL
Specifications:	
Fashion styles for welding protection • Extra soft lining; • Reinforced palm & back premium split cowhide Leather; • Double leather reinforced Leather Palm; • KEVLAR stitched; • Wing thumb • Could offer 16" Long	

Economy Quality Welding Glove



BL-1018

PT.NO	DESCRIPTION
BL-1018	split cowhide, gray color, length 14", size M,L, XL
Specifications:	
• Thin side split cowhide leather; • KEVLAR stitched; • Without lining; • Wing thumb.	



BL-1019

PT.NO	DESCRIPTION
BL-1019	split cowhide, russet color, length 14", size M,L, XL
Specifications:	
• Split cowhide Leather; • Cotton lining; • Straight thumb.	

Welding Protective Gloves Series



Quality Welding Gloves-14"



BL-1020

PT.NO	DESCRIPTION
BL-1020	cowhide leather, brown color, length 14", size M, L, XL
Specifications: Basic protection in most welding situations • Split cowhide Leather; • KEVLAR stitched,Thick cotton lining; • Wing thumb.	



BL-1021

PT.NO	DESCRIPTION
BL-1021	cowhide leather, coffee color, length 14", size M, L, XL
Specifications: Basic protection in most welding situations • Split cowhide Leather; • KEVLAR stitched,Thick cotton lining; • Wing thumb.	



BL-1022

PT.NO	DESCRIPTION
BL-1022	cowhide leather,blue color,length 14",size M,L,XL
Specifications: Basic protection in most welding situations • Split cowhide Leather; • KEVLAR stitched,Thick cotton lining; • Wing thumb.	



BL-1023

PT.NO	DESCRIPTION
BL-1023	split cowhide, gray color, length 14",size M,L,XL
Specifications: Basic protection on ,pst welding situations • Split cowhide Leather; • KEVLAR stitched,Thick cotton lining; • Wing thumb.	



BL-1024

PT.NO	DESCRIPTION
BL-1024	split cowhide, russet color, length 14",size M,L,XL
Specifications: Basic protection on ,pst welding situations • Split cowhide Leather; • KEVLAR stitched,Thick cotton lining; • Wing thumb.	

Welding Protective Gloves Series



Quality Welding Gloves-14"



BL-1025

PT.NO	DESCRIPTION
BL-1025	split cowhide, golden color, length 14",size M,L,XL
Specifications: Basic protection on ,pst welding situations • Split cowhide Leather; • KEVLAR stitched,Thick cotton lining; • Wing thumb.	

Quality Welding LONG Gloves-18"



BL-1026

PT.NO	DESCRIPTION
BL-1026	cowhide leather,blue color,length 18",size M,L,XL
Specifications: Basic protection on ,pst welding situations • Premium split cowhide Leather; • Effective long to prevent the radiant heat; • KEVLAR stitched; • Cotton lining; • Wing thumb. • Could offer 18" Long	



BL-1027

PT.NO	DESCRIPTION
BL-1027	cowhide leather,coffee color,length 18",size M,L,XL
Specifications: Basic protection on ,pst welding situations • Premium split cowhide Leather; • Effective long to prevent the radiant heat; • KEVLAR stitched; • Cotton lining; • Wing thumb. • Could offer 18" Long	

Professional TIG/MIG Gloves Series



Outstanding Fit & Dexterity Grain Goatskin TIG Gloves



BL-2000

PT.NO	DESCRIPTION
BL-2000	grain goatskin, white & black color, 5" long cuff, size M,L,XL
Specifications:	
Fashion style for TIG/MIG protection <ul style="list-style-type: none"> • Premium top grain goatskin with 5" long split cowhide leather; • W/O lining; • KEVLAR stitched; • Seamless index finger; • Wing thumb. 	

BL-2000 grain goatskin, white & black color, 5" long cuff, size M,L,XL

Specifications:

- **Fashion style for TIG/MIG protection**
- Premium top grain goatskin with 5" long split cowhide leather;
- W/O lining;
- KEVLAR stitched;
- Seamless index finger;
- Wing thumb.



BL-2001

PT.NO	DESCRIPTION
BL-2001	grain goatskin, white & golden color, 5" long cuff, size M,L,XL
Specifications:	
Fashion style for TIG/MIG protection <ul style="list-style-type: none"> • Premium top grain goatskin with 5" long split cowhide leather; • W/O lining; • KEVLAR stitched; • Seamless index finger; • Wing thumb. 	

BL-2001 grain goatskin, white & golden color, 5" long cuff, size M,L,XL

Specifications:

- **Fashion style for TIG/MIG protection**
- Premium top grain goatskin with 5" long split cowhide leather;
- W/O lining;
- KEVLAR stitched;
- Seamless index finger;
- Wing thumb.



BL-2002

PT.NO	DESCRIPTION
BL-2002	cowhide leather, white & golden color, 2" short cuff, size M,L,XL
Specifications:	
Fashion style for TIG/MIG protection <ul style="list-style-type: none"> • Economical W/ split cowhide leather hand back. • Premium top grain goatskin with 2" long split cowhide leather; • W/O lining; • KEVLAR stitched; • Seamless index finger; • Straight thumb. 	

BL-2002 cowhide leather, white & golden color, 2" short cuff, size M,L,XL

Specifications:

- **Fashion style for TIG/MIG protection**
- Economical W/ split cowhide leather hand back.
- Premium top grain goatskin with 2" long split cowhide leather;
- W/O lining;
- KEVLAR stitched;
- Seamless index finger;
- Straight thumb.



BL-2003

PT.NO	DESCRIPTION
BL-2003	cowhide leather, white & golden color, 2" short cuff, size M,L,XL
Specifications:	
Fashion style for TIG/MIG protection <ul style="list-style-type: none"> • Economical W/ split cowhide leather hand back. • Premium top grain goatskin with 2" long split cowhide leather; • W/O lining; • KEVLAR stitched; • Seamless index finger; • Straight thumb. 	

BL-2003 cowhide leather, white & golden color, 2" short cuff, size M,L,XL

Specifications:

- **Fashion style for TIG/MIG protection**
- Economical W/ split cowhide leather hand back.
- Premium top grain goatskin with 2" long split cowhide leather;
- W/O lining;
- KEVLAR stitched;
- Seamless index finger;
- Straight thumb.



BL-2004

PT.NO	DESCRIPTION
BL-2004	grain goatskin, white & golden color, 5" long cuff, size M,L,XL
Specifications:	
<ul style="list-style-type: none"> • Premium top grain goatskin with 5" long split cowhide leather; • W/O lining; • Seamless index finger; • KEVLAR stitched. 	

BL-2004 grain goatskin, white & golden color, 5" long cuff, size M,L,XL

Specifications:

- Premium top grain goatskin with 5" long split cowhide leather;
- W/O lining;
- Seamless index finger;
- KEVLAR stitched.

Professional TIG/MIG Gloves Series



Outstanding Fit & Dexterity Grain Goatskin TIG Gloves



BL-2005

PT.NO	DESCRIPTION
BL-2005	grain goatskin, white & golden color, 2" short cuff, size M,L,XL
Specifications:	
<ul style="list-style-type: none"> • Premium top grain goatskin with 2" long split cowhide leather; • W/O lining; • KEVLAR stitched; • Seamless index finger; • Straight thumb. 	

BL-2005 grain goatskin, white & golden color, 2" short cuff, size M,L,XL

Specifications:

- Premium top grain goatskin with 2" long split cowhide leather;
- W/O lining;
- KEVLAR stitched;
- Seamless index finger;
- Straight thumb.

Quality Grain Calfskin TIG/MIG Gloves



BL-2006

PT.NO	DESCRIPTION
BL-2006	grain cowhide, yellow & gray color, 5" long cuff, size M,L,XL
Specifications:	
<ul style="list-style-type: none"> • Premium top grain calfskin with 5" long split cowhide leather; • W/O lining; • KEVLAR stitched. 	

BL-2006 grain cowhide, yellow & gray color, 5" long cuff, size M,L,XL

Specifications:

- Premium top grain calfskin with 5" long split cowhide leather;
- W/O lining;
- KEVLAR stitched.



BL-2007

PT.NO	DESCRIPTION
BL-2007	grain pigskin, golden color, 5" long cuff, size M,L,XL
Specifications:	
<ul style="list-style-type: none"> • Basic protection in most TIG/MIG situation • Premium top grain pigskin with 5" long split pigskin cuffs; • W/O lining; • KEVLAR stitched; • Straight thumb. 	

BL-2007 grain pigskin, golden color, 5" long cuff, size M,L,XL

Specifications:

- **Basic protection in most TIG/MIG situation**
- Premium top grain pigskin with 5" long split pigskin cuffs;
- W/O lining;
- KEVLAR stitched;
- Straight thumb.



BL-2008

PT.NO	DESCRIPTION
BL-2008	Suede pigskin, golden color, 5" long cuff, size M,L,XL
Specifications:	
<ul style="list-style-type: none"> • Basic protection in most TIG/MIG situation • Premium top grain pigskin with 5" long split pigskin cuffs; • W/O lining; • KEVLAR stitched; • Straight thumb. 	

BL-2008 Suede pigskin, golden color, 5" long cuff, size M,L,XL

Specifications:

- **Basic protection in most TIG/MIG situation**
- Premium top grain pigskin with 5" long split pigskin cuffs;
- W/O lining;
- KEVLAR stitched;
- Straight thumb.



BL-2009

PT.NO	DESCRIPTION
BL-2009	grain goatskin, white color, 2" short cuff, size M,L,XL
Specifications:	
<ul style="list-style-type: none"> • Basic protection in most TIG/MIG situation • Premium top grain goatskin with 2" long split cowhide leather; • W/O lining; • KEVLAR stitched; • Seamless index finger; • Straight thumb. 	

BL-2009 grain goatskin, white color, 2" short cuff, size M,L,XL

Specifications:

- **Basic protection in most TIG/MIG situation**
- Premium top grain goatskin with 2" long split cowhide leather;
- W/O lining;
- KEVLAR stitched;
- Seamless index finger;
- Straight thumb.

Professional TIG/MIG Gloves Series



Quality Grain Calfskin TIG/MIG Gloves



BL-2010

PT.NO DESCRIPTION

BL-2010 grain cowhide ,white color,2" short cuff,size M,L,XL

Specifications:

- Basic protection in most TIG/MIG situation
- Premium top grain calfskin with 2" long split cowhide leather;
- W/O lining;
- KEVLAR stitched;
- Seamless index finger;
- Straight thumb.



BL-2011

PT.NO DESCRIPTION

BL-2011 grain pigskin, golden color,5" long cuff,size M,L,XL

Specifications:

- Premium top grain pigskin with 5" long split pigskin cuffs;
- W/O lining;
- KEVLAR stitched;
- Straight thumb.



BL-2012

PT.NO DESCRIPTION

BL-2012 grain cowhide,yellow color,5" long cuff,size M,L,XL

Specifications:

- Premium top grain calfskin with 5" long split cowhide leather;
- W/O lining;
- KEVLAR stitched.



BL-2014

PT.NO DESCRIPTION

BL-2014 golden color, size M, L,XL,length 14"

Specifications:

- Grain pigskin palm;
- Split pigskin back;
- Regifoced palm & index finger;
- Sponge lining;
- Sewn with Dopont kevlar thread.

CLOTHING



Full Leather Welder Jacket



PT.NO DESCRIPTION

BL-3001 split cowhide,coffee color, size L,XL, XXL, XXXL

Specifications:

- Selected split cowhide leather;
- Dielectric and insulated snaps;
- Leather spatter guard layer;
- Inside pocket and adjustable cuffs;
- FR roll up collar with velco closure;
- KEVLAR stitched



PT.NO DESCRIPTION

BL-3002 split cowhide,charcoal-brown color, size L,XL, XXL, XXXL

Specifications:

- Selected split cowhide leather;
- Dielectric and insulated snaps;
- Leather spatter guard layer;
- Inside pocket and adjustable cuffs;
- FR roll up collar with velco closure;
- KEVLAR stitched



PT.NO DESCRIPTION

BL-3003 split cowhide,golden color, size L,XL, XXL, XXXL

Specifications:

- Selected split cowhide leather;
- Dielectric and insulated snaps;
- Leather spatter guard layer;
- Inside pocket and adjustable cuffs;
- FR roll up collar with velco closure;
- KEVLAR stitched



PT.NO DESCRIPTION

BL-3004 split cowhide,gray color, size L,XL, XXL, XXXL

Specifications:

- Selected split cowhide leather;
- Dielectric and insulated snaps;
- Leather spatter guard layer;
- Inside pocket and adjustable cuffs;
- FR roll up collar with velco closure;
- KEVLAR stitched

CLOTHING



Washable FR Cotton Fabric Body W/ Leather Sleeves Welder Jacket



PT.NO	DESCRIPTION
BL-3005	split cowhide&FR, golden&orange color, size L, XL, XXL, XXXL
Specifications: <ul style="list-style-type: none"> • 11OZ washable flame retardant cotton sateen body; • Select side split cowhide leather sleeves; • Dielectric and insulated snaps; • FR spatter guard layer; • Inside pocket and adjustable snap cuffs; • KEVLAR stitched. 	



PT.NO	DESCRIPTION
BL-3006	split cowhide&FR, brown&blue color, size L, XL, XXL, XXXL
Specifications: <ul style="list-style-type: none"> • 11OZ washable flame retardant cotton sateen body; • Select side split cowhide leather sleeves; • Dielectric and insulated snaps; • FR spatter guard layer; • Inside pocket and adjustable snap cuffs; • KEVLAR stitched. 	

Premium Leather Jacket



PT.NO	DESCRIPTION
BL-3007	cowhide, golden&brown color, size L, XL, XXL, XXXL
Specifications: <ul style="list-style-type: none"> • Top grain calfskin body; • Split Cowhide leather sleeves, Dielectric and insulated snaps; • Leather spatter guard layer closure; • Inside pocket and adjustable cuffs; • FR roll up collar with velco closure; • KEVLAR stitched. 	

CLOTHING



Cape Sleeves System



PT.NO	DESCRIPTION
BL-3008	cape sleeves, golden color, size M, L, XL, XXL, XXXL
BL-3009	bib, golden color, size M, L, XL, XXL, XXXL
Specifications: <ul style="list-style-type: none"> • Select split cowhide leather; • Dielectric and insulated snaps; • FR spatter guard layer; • Inside pocket and adjustable snap cuffs; • KEVLAR stitched. 	

PFIREMAN Jacket



PT.NO	DESCRIPTION
BL-3010	FR&leather, golden color, size L, XL, XXL, XXXL
Specifications: <ul style="list-style-type: none"> • Orange w/Golden (HI-VIS Band); • Side front closure; • FR cotton lined roll-up collar; • Flap/inside pocket; • Sewn with Dupont Kevlar; 	



PT.NO	DESCRIPTION
BL-3011	leather, golden color, size L, XL, XXL, XXXL
Specifications: <ul style="list-style-type: none"> • Selected split cowhide leather; • Dielectric and insulated snaps; • Leather spatter guard layer; • Inside pocket and adjustable cuffs; • FR roll up collar with velco closure; • KEVLAR stitched 	

CLOTHING



Leather Front W/ Washable FR Cotton Fabric Back Welder Jacket



PT.NO	DESCRIPTION
BL-3012	split cowhide & FR, coffee&orange color, size L,XL, XXL, XXXL
Specifications: <ul style="list-style-type: none"> • Body front w/ select side split cowhide leather; • Back w/11OZ washable flame retardant cotton sateen; • Dielectric and insulated snaps; • FR spatter guard layer; • Dupont KEVLAR sewn; • With a inside pocket and adjustable snap cuffs; • FR inner roll up collar w/ verlco closure. 	



PT.NO	DESCRIPTION
BL-3013	split cowhide & FR, golden&blue color, size L,XL, XXL, XXXL
Specifications: <ul style="list-style-type: none"> • Body front w/ select side split cowhide leather; • Back w/11OZ washable flame retardant cotton sateen; • Dielectric and insulated snaps; • FR spatter guard layer; • Dupont KEVLAR sewn; • With a inside pocket and adjustable snap cuffs; • FR inner roll up collar w/ verlco closure. 	

Leather Welder Pants



PT.NO	DESCRIPTION
BL-3014	gray color, size L,XL, XXL, XXXL
Specifications: <ul style="list-style-type: none"> • Select split cowhide leather; • With or without gallus design; • KEVLAR stitched. 	

PT.NO	DESCRIPTION
BL-3015	golden color, size L,XL, XXL, XXXL
Specifications: <ul style="list-style-type: none"> • Select split cowhide leather; • With or without gallus design; • KEVLAR stitched. 	

CLOTHING



Leather Welder Chaps



PT.NO	DESCRIPTION
BL-3016	coffee color, size L,XL, XXL, XXXL
BL-3017	golden color, size L,XL, XXL, XXXL
Specifications: <ul style="list-style-type: none"> • Select split cowhide leather; • Open back with quick release buckle; • KEVLAR stitched. 	

Leather Welder Apron(BIB APRONS FOR FRONT MIDDLE BODY PROTECTION)



PT.NO	DESCRIPTION
BL-3018	brown color, size L,XL
Specifications: <ul style="list-style-type: none"> • Side split cowhide leather; • KEVLAR stitched; • 2.5cm Wide Cotton Sliding length self balancing adjuster; • Quick-release buckle; • Adjustable slider and divider. 	



PT.NO	DESCRIPTION
BL-3019	golden color, size L,XL
Specifications: <ul style="list-style-type: none"> • Side split cowhide leather; • KEVLAR stitched; • 2.5cm Wide Cotton Sliding length self balancing adjuster; • Quick-release buckle; • Adjustable slider and divider. 	

CLOTHING



Leather Welder Apron(BIB APRONS FOR FRONT MIDDLE BODY PROTECTION)



PT.NO	DESCRIPTION
BL-3020	gray color, size L,XL
Specifications: <ul style="list-style-type: none"> • Side split cowhide leather; • KEVLAR stitched; • 2.5cm Wide Cotton Sliding length self balancing adjuster; • Quick-release buckle; • Adjustable slider and divider. 	



PT.NO	DESCRIPTION
BL-3021	coffee color, size L,XL
Specifications: <ul style="list-style-type: none"> • Side split cowhide leather; • KEVLAR stitched; • 2.5cm Wide Cotton Sliding length self balancing adjuster; • Quick-release buckle; • Adjustable slider and divider. 	

Leather Welder Apron(FOR ARMS AND BODY PROTECTION)



PT.NO	DESCRIPTION
BL-3022	brown color,roll-up collar, size L,XL,XXL
Specifications: <ul style="list-style-type: none"> • FR roll up collar with velco closure; • Fully Long Leather arm sleeves; • Side split cowhide leather; • KEVLAR stitched; • 2.5CM wide cotton straps; • Quick-release buckle. 	



PT.NO	DESCRIPTION
BL-3023	golden color,roll-up collar, size L,XL,XXL
Specifications: <ul style="list-style-type: none"> • FR roll up collar with velco closure; • Fully Long Leather arm sleeves; • Side split cowhide leather; • KEVLAR stitched; • 2.5CM wide cotton straps; • Quick-release buckle. 	

CLOTHING



Leather Welder Apron(FOR ARMS AND BODY PROTECTION)



PT.NO	DESCRIPTION
BL-3024	golden color,long sleeves, size L,XL,XXL
Specifications: <ul style="list-style-type: none"> • Short arm sleeves. • Side split cowhide leather;KEVLAR stitched; • 2.5CM wide cotton straps; • Quick-release buckle. 	



PT.NO	DESCRIPTION
BL-3025	golden color,short sleeves, size L,XL,XXL
Specifications: <ul style="list-style-type: none"> • Fully Long Leather arm sleeves. • Side split cowhide leather; • KEVLAR stitched; • 2.5CM wide cotton straps; • Quick-release buckle. 	

Washable FR Cotton Fabric Waist Apron



PT.NO	DESCRIPTION
BL-3026	golden color, size 25**24"
Specifications: <ul style="list-style-type: none"> • Side split cowhide leather; • KEVLAR stitched; • 2.5CM wide cotton straps; • Quick-release buckle. 	



PT.NO	DESCRIPTION
BL-3027	blue color, size L,XL
Specifications: <ul style="list-style-type: none"> • 110Z washable flame retardant cotton sateen; • KEVLAR stitched; • 2.5cm Wide Cotton Sliding length self balancing adjuster; • Quick-release buckle; • Adjustable slider and divider. 	

CLOTHING



Washable FR Cotton Fabric Coverall



PT.NO	DESCRIPTION
BL-3028	Orange color, size L,XL,XXL,XXXL
Specifications: <ul style="list-style-type: none"> • 110Z washable flame retardant cotton sateen; • Dielectric and insulated snaps; • FR spatter guard layer; • FR roll up collar with velco closure; • Elastic waist band for snug fit; • Adjustable snap cuffs; • KEVLAR stitched. 	

PT.NO	DESCRIPTION
BL-3029	Blue color, size L,XL,XXL,XXXL
Specifications: <ul style="list-style-type: none"> • 110Z washable flame retardant cotton sateen; • Dielectric and insulated snaps; • FR spatter guard layer; • FR roll up collar with velco closure; • Elastic waist band for snug fit; • Adjustable snap cuffs; • KEVLAR stitched. 	

Washable FR Cotton Fabric Jacket



PT.NO	DESCRIPTION
BL-3030	Orange color, size L,XL,XXL,XXXL
Specifications: <ul style="list-style-type: none"> • 110Z washable flame retardant cotton sateen; • Dielectric and insulated snaps; • FR spatter guard layer; • FR roll up collar with velco closure; • Adjustable snap cuffs; • KEVLAR stitched. 	

PT.NO	DESCRIPTION
BL-3031	Blue color, size L,XL,XXL,XXXL
Specifications: <ul style="list-style-type: none"> • 110Z washable flame retardant cotton sateen; • Dielectric and insulated snaps; • FR spatter guard layer; • FR roll up collar with velco closure; • Adjustable snap cuffs; • KEVLAR stitched. 	

CLOTHING



Washable FR Cotton Fabric Pants



PT.NO	DESCRIPTION
BL-3032	Orange color, size L,XL,XXL,XXXL
Specifications: <ul style="list-style-type: none"> • 110Z washable flame retardant cotton sateen; • Dielectric and insulated snaps; • FR spatter guard layer; • Adjustable snap cuffs; • KEVLAR stitched. 	

PT.NO	DESCRIPTION
BL-3033	Blue color, size L,XL,XXL,XXXL
Specifications: <ul style="list-style-type: none"> • 110Z washable flame retardant cotton sateen; • Dielectric and insulated snaps; • FR spatter guard layer; • Adjustable snap cuffs; • KEVLAR stitched. 	

FOOT PROTECTION



Leather Legging Spats



PT.NO	DESCRIPTION
BL-3034	split cowhide,gray&golden color,length 12"
Specifications: <ul style="list-style-type: none"> • Selected split cowhide; • Internal side bar support; • KEVLAR stitched; • Sole with elastic straps. 	



PT.NO	DESCRIPTION
BL-3035	split cowhide,gray&golden color,length 6"
Specifications: <ul style="list-style-type: none"> • Selected split cowhide; • Internal side bar support; • KEVLAR stitched; • Sole with elastic straps. 	

Safety Shoes



PT.NO	DESCRIPTION
BL-3036	split cowhide leather,black color pigskin lining
Specifications: <ul style="list-style-type: none"> • Split cowhide leather; • Pigskin lining; • Indian water buffalo empastic; • leather upper; • Canberra lining; • PU sole 	



PT.NO	DESCRIPTION
BL-3037	grain cowhide leather,black color ankle style
Specifications: <ul style="list-style-type: none"> • Grain cowhide leather; • Ankle style; • Indian water buffalo empastic; • leather upper; • Canberra lining; • PU sole 	

HEAD PROTECTION



Leather Welder Hoods



PT.NO	DESCRIPTION
BL-3038	split cowhide, brown color,size 15" height * 5"girth
Specifications: <ul style="list-style-type: none"> • Split cowhide; • Cotton mesh lining; • KEVLAR stitched. 	



PT.NO	DESCRIPTION
BL-3039	split cowhide, golden color,size 15" height * 4"girth
Specifications: <ul style="list-style-type: none"> • Split cowhide; • Cotton mesh lining; • KEVLAR stitched. 	

Washable FR Cotton Hood



PT.NO	DESCRIPTION
BL-3040	FR cotton,blue color,size 15"height * 4"girth
Specifications: <ul style="list-style-type: none"> • 11OZ washable flame retardant cotton fabric; • Cotton mesh lining; • Velcro straps; • Buckle for helmets; • KEVLAR stitched. 	



PT.NO	DESCRIPTION
BL-3041	FR cotton,orange color,size 15"height * 4"girth
Specifications: <ul style="list-style-type: none"> • 11OZ washable flame retardant cotton fabric; • Cotton mesh lining; • Velcro straps; • Buckle for helmets; • KEVLAR stitched. 	

HEAD PROTECTION



Leather Helmet



PT.NO	DESCRIPTION
BL-3042	split cowhide, gray color, size 15" height * 5 girth
Specifications: <ul style="list-style-type: none"> • Side split cowhide leather; • Eye-glasses; • Elastic closure on the back. 	

PT.NO	DESCRIPTION
BL-3043	split cowhide, brown color, size 15" height * 4" girth
Specifications: <ul style="list-style-type: none"> • Side split cowhide leather; • Eye-glasses; • Elastic closure on the back. 	

WORKSHOP PROTECTION



High Transparency Welding Curtain



PT.NO	DESCRIPTION
BL-3044	green color, thickness 16mil(0.4mm), size 1.74m*1.74m
BL-3045	green color, thickness 16mil(0.4mm), size 1.74m*2.34m
Specifications: <ul style="list-style-type: none"> • Hemmed W/ Kevlar stitching; Edges W/ grommets at 12" intervals. • Specially formulated vinyl 16mil (0.4mm) thick; • Moderate UV resistant and Transmission; • Flame Retardant. 	

PT.NO	DESCRIPTION
BL-3046	orange color, thickness 16mil(0.4mm), size 1.74m*1.74m
BL-3047	orange color, thickness 16mil(0.4mm), size 1.74m*2.34m
Specifications: <ul style="list-style-type: none"> • Hemmed W/ Kevlar stitching; Edges W/ grommets at 12" intervals. • Specially formulated vinyl 16mil (0.4mm) thick; • Moderate UV resistant and Transmission; • Flame Retardant. 	



PT.NO	DESCRIPTION
BL-3048	yellow color, thickness 16mil(0.4mm), size 1.74m*1.74m
BL-3049	yellow color, thickness 16mil(0.4mm), size 1.74m*2.34m
Specifications: <ul style="list-style-type: none"> • Hemmed W/ Kevlar stitching; Edges W/ grommets at 12" intervals. • Specially formulated vinyl 16mil (0.4mm) thick; • Moderate UV resistant and Transmission; • Flame Retardant. 	

PT.NO	DESCRIPTION
BL-3050	green color, 1.81m*55m
Specifications: <ul style="list-style-type: none"> • Could be done at any size. • Specially formulated vinyl 16mil (0.4mm) thick; • Moderate UV resistant and Transmission; • Flame Retardant. 	

WORKSHOP PROTECTION



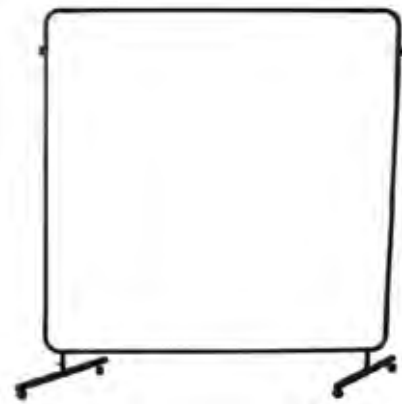
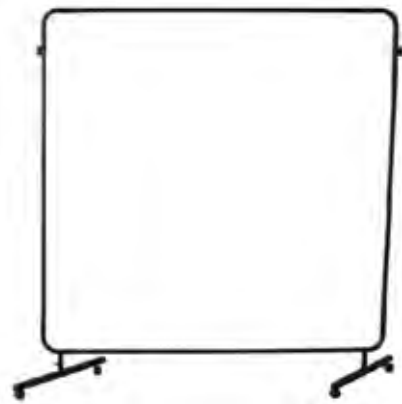
Leather Legging Spats



PT.NO	DESCRIPTION
BL-3051	orange color, 1.81m*55m
Specifications: <ul style="list-style-type: none"> • Could be done at any size. • Specially formulated vinyl 16mil (0.4mm) thick; • Moderate UV resistant and Transmission; • Flame Retardant. 	

PT.NO	DESCRIPTION
BL-3052	yellow color, 1.81m*55m
Specifications: <ul style="list-style-type: none"> • Could be done at any size. • Specially formulated vinyl 16mil (0.4mm) thick; • Moderate UV resistant and Transmission; • Flame Retardant. 	

Ajustable Modular Frame(for Transpency Welding Curtains)



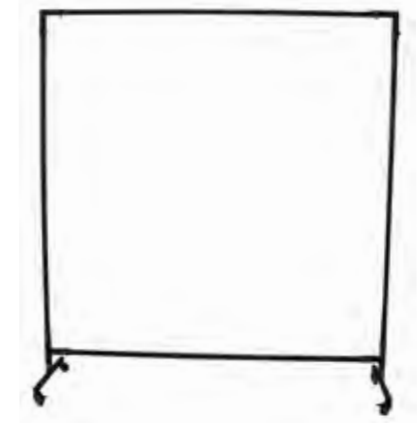
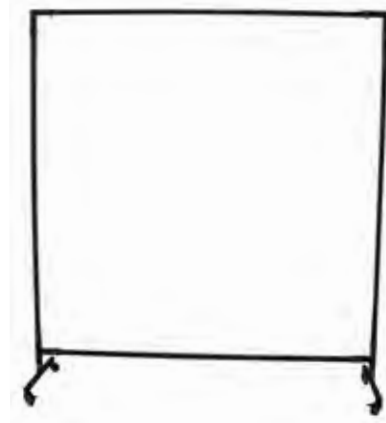
PT.NO	DESCRIPTION
BL-3053	round tube, holes for combine, size 1.8m*1.8m
Specifications: <ul style="list-style-type: none"> • Round Tubes;Spring-pin connectors. • Heavy duty finished steel tubing and snap to put together and four wheels on the base; • Includes 360°swivel connectors available in Multiple Panels. 	

PT.NO	DESCRIPTION
BL-3054	round tube, holes for combine, size 1.8m*2.4m
Specifications: <ul style="list-style-type: none"> • Round Tubes;Spring-pin connectors. • Heavy duty finished steel tubing and snap to put together and four wheels on the base; • Includes 360°swivel connectors available in Multiple Panels. 	

WORKSHOP PROTECTION



Ajustable Modular Frame(for Transpency Welding Curtains)



PT.NO	DESCRIPTION
BL-3055	square tube, snap for combine, size 1.8m*1.8m
Specifications: <ul style="list-style-type: none"> • Square Tubes;Quick-Lock connectors. • Heavy duty finished steel tubing and snap to put together and four wheels on the base; • Includes 360°swivel connectors available in Multiple Panels. 	

PT.NO	DESCRIPTION
BL-3056	square tube, snap for combine, size 1.8m*1.8m
Specifications: <ul style="list-style-type: none"> • Square Tubes;Quick-Lock connectors. • Heavy duty finished steel tubing and snap to put together and four wheels on the base; • Includes 360°swivel connectors available in Multiple Panels. 	

Glass Firber Welding Blanket



PT.NO	DESCRIPTION
BL-3057	desert color, thickness 1.3mm, size 1.74m*1.74m
Specifications: <ul style="list-style-type: none"> • 800GSM(0.75MM thick); • Continuous Silica Glass Fibre; • Hemmed W/ Kevlar stitching; Edges W/ grommets at 12" intervals; • Temp Rating:1000 °C. 	

PT.NO	DESCRIPTION
BL-3068	green color, thickness 1.3mm, size 1.74m*1.74m
Specifications: <ul style="list-style-type: none"> • 800GSM(0.75MM thick); • Continuous Silica Glass Fibre; • Hemmed W/ Kevlar stitching; Edges W/ grommets at 12" intervals; • Temp Rating:1000 °C. 	

Gas regulators, Controllers, Coolers and other accessories

Product catalogue

Argon Gas Regulator

W-169B Gas Regulator	161
W-101 Flow meter gas regulator	161
W-206 Flow gas regulator	162
W-207 gas regulator	162

Co2 Gas Regulator

W-199 Carbon dioxide regulator	163
W-199B Carbon dioxide regulator	163

Controllers

FX-390B	164
---------------	-----

Water-cooling Unit

WC-100/150	165
------------------	-----

Carts & Trailers

ST-7	166
T-130	166
WT-100/150	166
P-30W	166



Ar/MAG Gas Regulator

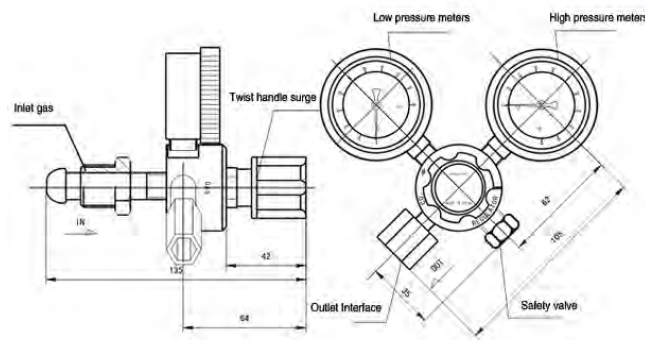


W-169B Gas Regulator



Standard Style	
For gas	Ar/MAG(Ar80% Co2 20%)
High pressure gauge	280kg/4000Psi
Flow	0-30LPM
Inlet pressure(P1)	Ar/MAG:14.8MPa the following
Adjust the pressure(P2)	0.3MPa
Meter mode	OUT type
Inlet thread	CGA580
Outlet thread	M12-1.0RH
Weight	0.8kg

Appearance



Ar/MAG Gas Regulator

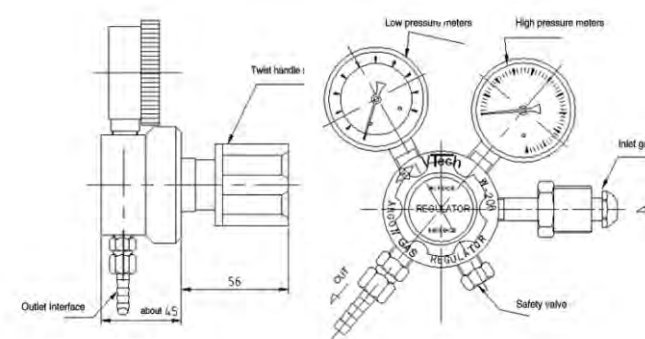


W-206 Flow Gas Regulator



Standard Style	
For gas	Ar/MAG(Ar80% CO220%)
High pressure gauge	High pressure gauge
Low pressure gauge	0.5MPa
Inlet pressure(P1)	Ar/MAG:14.8MPa the following
Adjust the pressure(P2)	0.3MPa
Flow Range	1-25LPM
Inlet thread	G5/8-14"-RH(F)
Outlet thread	M12-1.0RH
Weight	1.1kg

Appearance

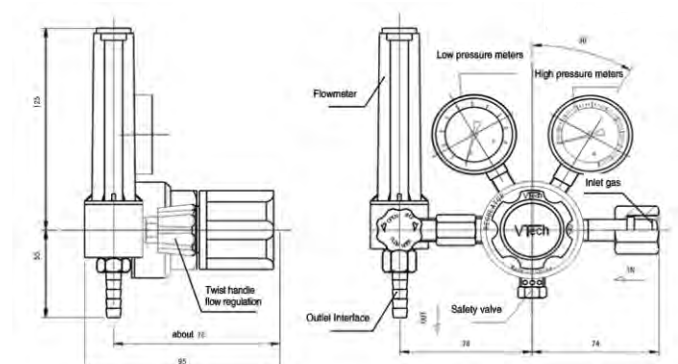


W-207 Gas Regulator



Standard Style	
High pressure gauge	25MPa
Out pressure gauge	0.5MPa
Inlet pressure(P1)	14.8MPa the following
Adjust the pressure(P2)	0.5MPa
Flow Range	1-25LPM
Meter mode	OUT type
Inlet thread	G5/8-14"-RH(F)
Outlet thread	M12-1.0RH
Weight	1.35kg

Appearance



CO₂ Gas Regulator

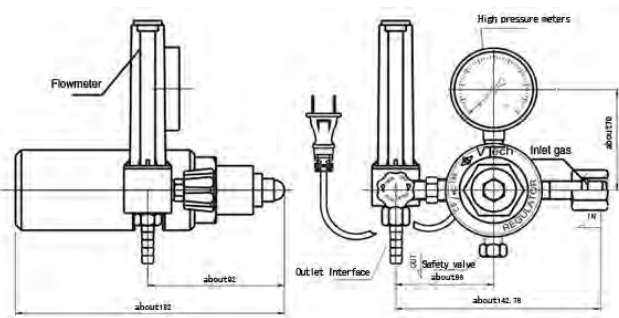


W-199 Carbon dioxide regulator



Standard Style	
For gas	CO ₂ ,Ar,MAG
High pressure gauge	280kg/4000Psi
Inlet pressure(P1)	Ar/MAG:14.8MPa the following CO ₂ :12MPa the following
Adjust the pressure(P2)	0.3MPa
Meter mod	OUT type
Flow Range	1-25L/min (MAG,Ar/CO ₂)
Inlet thread	G5/8-14"-RH(F)
Outlet thread	M12-1.0RH
Power	190W ,210W
Voltage	36V,110V,220V
Power line	3m
Weight	2.1kg

Appearance

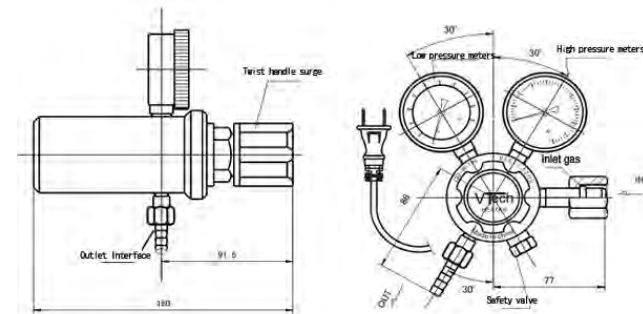


W-199B Carbon dioxide regulator



Standard Style	
For gas	CO ₂ ,Ar,MAG
High pressure gauge	25MPa
Inlet pressure(P1)	Ar/MAG:14.8MPa the following CO ₂ :12MPa the following
Adjust the pressure(P2)	0.5MPa
Meter mod	OUT type
Flow Range	1-50L/min (MAG,Ar/CO ₂)
Inlet thread	G5/8-14"-RH(F)
Outlet thread	M12-1.0RH
Power	190W ,210W
Voltage	36V,110V,220V
Power line	3m
Weight	1.8kg

Appearance



Foot Pedal

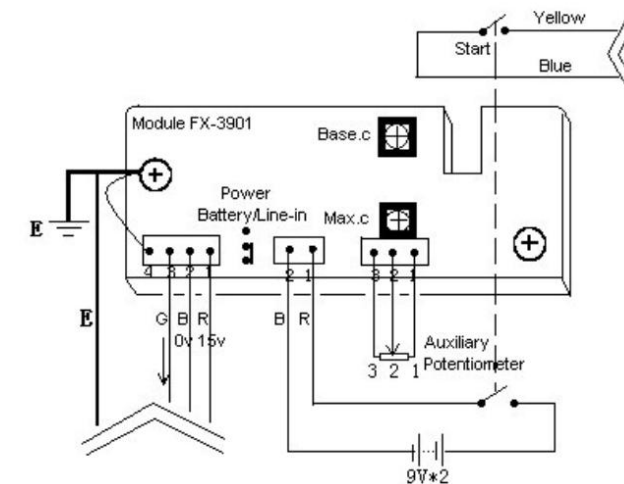


FX-390B



Induction type foot pedal	
Model No.	FX-390B
Serial No.	12D36
Input Voltage	+15V
Output Voltage	0-13V

Major Loop of Foot Pedal



Water-cooling Unit



WC-100



Standard Style	
ItemNo.:	WC-100
MAINVOLTAGE	230V 50/60Hz
PHASE	1PH
COOLING CAPACITY	1.7KW(1L/MIN) 1.9KW(1L/MIN) 1.5KW(1L/MIN)
MOTOR	260W
MAX PRESSURE	0.3MPA/60HZ
OPERATION	-20℃~60℃
WEIGHT	14KG
DIMENSION(mm)	515x230x325
RADIATOR	AL/2R CU 26*36CM / 2R CU 26*36CM

WC-150



Standard Style	
ItemNo.:	WC-150
MAINVOLTAGE	230V 50/60Hz
PHASE	1PH
COOLING CAPACITY	1.7KW(1L/MIN) 1.9KW(1L/MIN) 1.5KW(1L/MIN)
MOTOR	260W
MAX PRESSURE	0.3MPA/60HZ
OPERATION	-20℃~60℃
WEIGHT	14.2KG
DIMENSION(mm)	560x300x250
RADIATOR	AL/2R CU 26*36CM / 2R CU 26*36CM

Carts & Trailers



2-wheel transport units



ST-7



T-130

PT.NO	WEIGHT(Kg)	PACK
ST-7	17	1
T-130	23	1

4-wheel transport units



WT-100/150



P-30W

PT.NO	WEIGHT(Kg)	PACK
WT-100/150	75	1
P-30W	28	1